

Fitlet-T

Mini PC with Best AMD Performance

Product Specification v.1.2



Fitlet-T is our most powerful AMD mini PC using Steppe Eagle CPU (GX-424CC). It performs better than Intel Core-i3 and is really cost competitive. Offering real-time data communication, we recommend it especially for M2M, remote control, monitoring and automation applications.

Key Features

- Quad Core AMD up to 2.4GHz
- AMD Radeon™ R5E Graphics
- Dual Display mode (HD resolution)
- Up to 16GB DDR3 RAM non-ECC
- 1x micro SIM slot for 4G LTE Modem use
- Die-cast aluminium shell
- Passive Cooling

Ideal For

- Industrial & Automation
- Real-time data com
- M2M and remote control
- Monitoring
- Networking
- Communications

Product Specifications

Model	fitlet-T Barebone
Name	FITLET-T BB
Long Term Availability	2024
Hardware Revision	1.2
Processor	
Type	AMD GX-424CC SoC (Steppe Eagle)
Cores	64-bit quad core
Clock speed	2.4GHz
TDP	25W
Chipset	SoC (CPU and Chipset on the same die)
Memory	
Supported	2x SO-DIMM 204-pin DDR3L SDRAM memory slots Up to 16GB (2x 8GB) Non-ECC DDR3L-1866 (1.35V) For 1866 Mbps speed, only one SO-DIMM slot should be populated
Installed	Barebone as default. Options are: 2GB / 4GB / 8GB / 16GB / 32GB – DDR3L 1600MT/s Non-ECC
Storage	
Supported	1x SATA up to 6 Gbps (SATA 3.0) for internal 2.5" HDD/SSD 1x mSATA slot up to 6 Gbps (SATA 3.0)
Installed	Barebone as default. Options are: 2.5" HDD SATA 3.0: 500GB / 1TB 2.5" SSD SATA 3.0: 120GB / 1TB mSATA SATA 3.0: 120GB / 256GB
Graphics	
GPU	AMD Radeon R5E Dual display mode supported
Display Interface 1	HDMI 1.4a up to 1920 x 1200 @ 60Hz
Display Interface 2	HDMI 1.4a up to 1920 x 1200 @ 60Hz

Audio	
Codec	Realtek ALC886 HD audio codec
Audio Output	Analog stereo output Digital 7.1+2 channels S/PDIF output. 3.5mm jack
Audio Input	Analog stereo Microphone input Digital S/PDIF input. 3.5mm jack
Networking	
LAN	2x GbE LAN ports LAN1: Intel I211 GbE controller (RJ-45) LAN2: Intel I211 GbE controller (RJ-45)
Wireless	WLAN 802.11ac (2.4/5GHz dual band Intel 7260HMW) Bluetooth 4.0
Connectivity	
USB	2x USB 3.0 (back) 2x USB 2.0 (back) 4x USB 2.0 (front)
Serial	1x Serial communication port COM1: RS232 via mini serial connector
SD	Micro-SD slot support SD/SDHC cards Transfer rates up to 25 MB/s
Special I/O	1x micro SIM slot (6 pins) for use with mini PCIe Cellular Modem.
Expansion	Half/Full-size mini-PCIe socket Half/Full-size mini-PCIe/mSATA socket - shared with mSATA. FACE Modules available – See “Face Module Compatibility” table below.
Advanced Technologies	
vPRO	No
AMT	No
CPU Virtualization	Yes
AES	Yes
Special Functionality	Auto-On, Wake-on-LAN, Wake-on-Timer, PXE Boot
Bootloader	
Vendor	American Megatrends Inc.

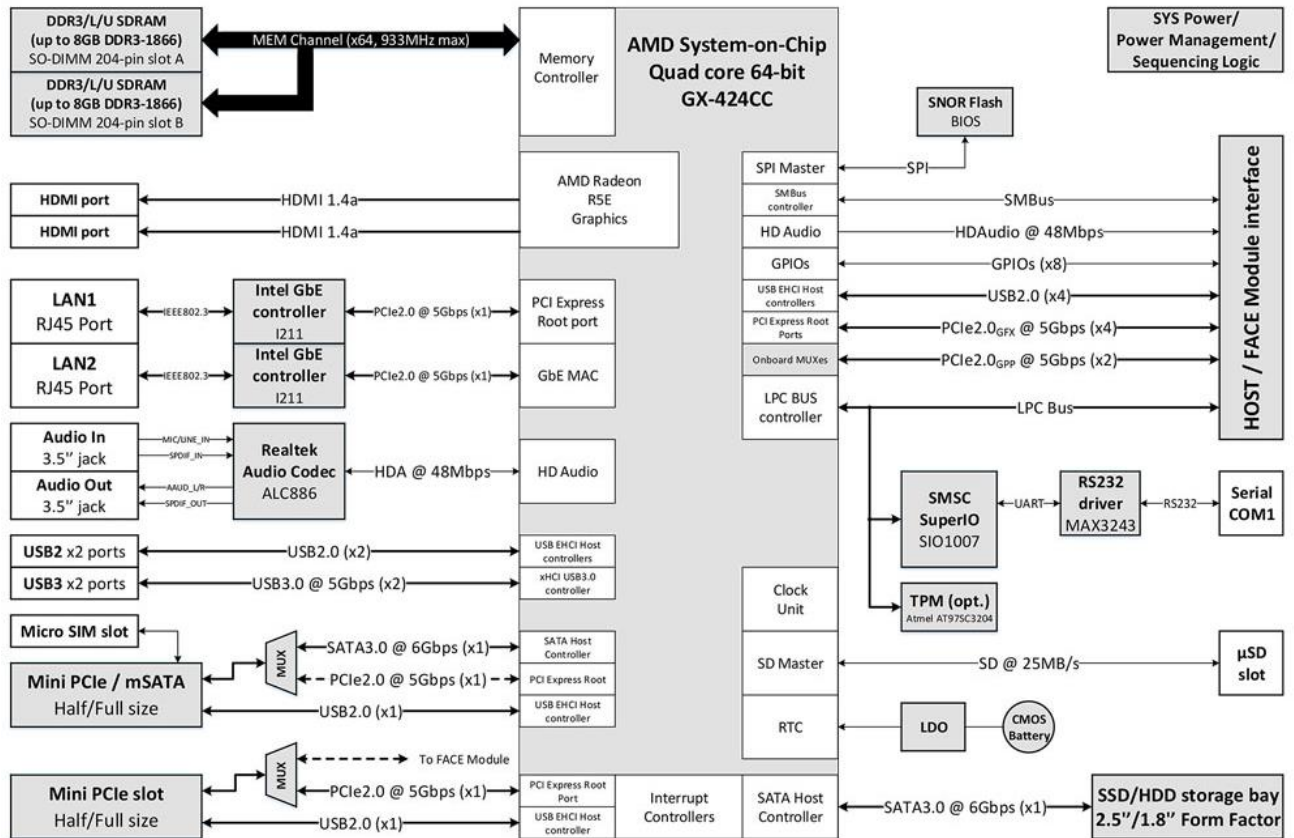
Features	BIOS Legacy mode UEFI 2.2 mode Secure Boot
Operating System	
Supported	Windows 7/8/10, 32-bit and 64-bit Linux (Mint and Ubuntu) 32-bit and 64-bit Embedded OS
Official Linux	Linux Mint 18 Cinnamon (64-bit)
Installed	No OS installed as default. Options are: Windows 10 Pro 64 bit Win 10 IoT Enterprise LTSC 2016 Value Linux (Mint / Ubuntu) 64-bit
Operating Conditions	
Input Voltage	Unregulated 10 – 15VDC input Nominal input voltage: 12V
Power Consumption	6W – 25W
Operating Temperature	Commercial: 0°C to +50°C (HDD Models) 0°C to +70°C (SSD Models) Following options available: Extended (TE): -20°C to 70°C (HDD not recommended) Industrial (TI): -40°C to 70°C (HDD not recommended)
Relative Humidity	10% to 90% (operation) 5% to 95% (storage)
MTTF	> 100,000 hours
Certifications	CE, FCC, EMC and Safety
Enclosure	
Material	Die Cast Aluminium
Cooling	Passive Cooling Fanless Design
Dimensions	19cm x 16cm x 4cm
Weight	1100gr
Warranty	
PC	5 years*
Consumable	1 year

*Supplied by Tiny Green PC, trading division of Anders Electronics plc. Manufactured by CompuLab.

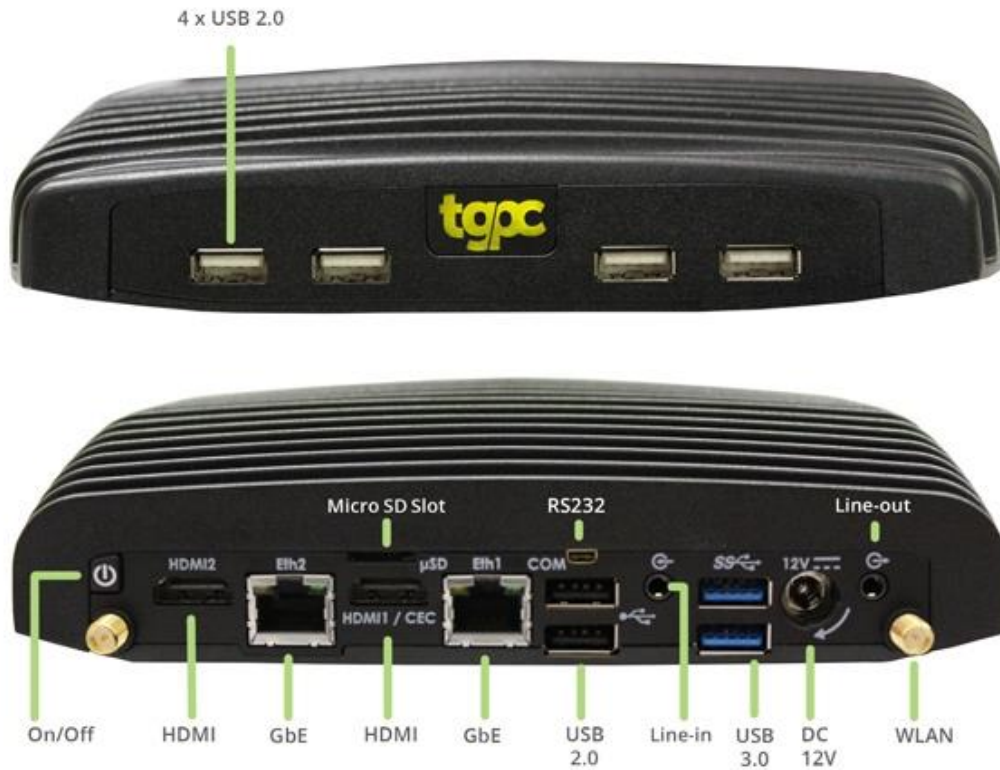
Package Content

Item	Specifications
1	Fitlet-T Computer
2	Power Supply Input 100/240VAC 50/60Hz, 60W output 12VDC 5A, DC
3	Video HDMI to DVI adapter
4	Audio 3.5mm to RCA Cable
5	2 WiFi antennas
6	Mini-serial to D89-male adapter cable
7	User Manual

Block Diagram



Port Diagram



Face Modules Compatibility

FM-OPLN	Adds dual Gbit Ethernet SFP+ ports for fiber-optic LAN built-in. Eliminates the need for external media converter while enabling true fibre-to-the-desk (FTTD) in extremely compact form factor.
FM-XTDEU2	Adds 1 GbE port on top of the built-in dual GbE ports for a total of 3 GbE ports. 2x USB 3.0 from standard Face Module are replaced by 4x USB 2.0.
FM-SER*	Adds 6 RS232/RS485 ports on top of the built-in 1x RS232 ports for a total of 7 serial ports.

*With a dedicated BIOS only

Contact and Support

For further information and quotations, please contact info@tinygreenpc.com

For all technical support (questions, FAQ, troubleshooting, RMA...), please consult <http://www.tinygreenpc.com/support>